

The FG Wilson sound attenuated enclosures for the range of Perkins powered P450P1 to P688E1 generating sets are a result of continuing research and development by our specialist acoustic engineers. These enclosures reduce sound levels to comply with the new European Community regulations 2000/14/EC which became effective on 1 January 2002.

The fully weatherproof enclosures incorporate internally mounted exhaust silencers and are of extremely rugged construction in order to withstand the rough handling common on many construction sites. They are designed on modular principles with many interchangeable components permitting on-site repair.

#### Robust/Highly Corrosion Resistant Construction

- ▶ Black finish stainless steel locks and hinges
- ▶ Zinc plated or stainless steel fasteners
- ▶ Body made from steel components treated with polyester powder coating

#### Excellent Access for Maintenance

- ▶ Two large doors on each side
- ▶ Radiator fill access plate
- ▶ Lube oil and cooling water drains piped to exterior of the enclosure

#### Security and Safety

- ▶ Control panel viewing window in a lockable access door
- ▶ Emergency stop push button (red) mounted on enclosure exterior
- ▶ Cooling fan and battery charging alternator fully guarded
- ▶ Fuel fill and battery can only be reached via lockable access doors
- ▶ Exhaust silencing system totally enclosed for operator safety

#### Transportability

- ▶ Tested and certified single point lifting facility
- ▶ Lifting points on baseframe

#### Optional Features

- ▶ Oil field type skid with dragging points and fork lift truck pockets



## 450 - 688 kVA Generating Set Range



## Modular Acoustic Enclosure



## Sound Pressure Levels (dBA)

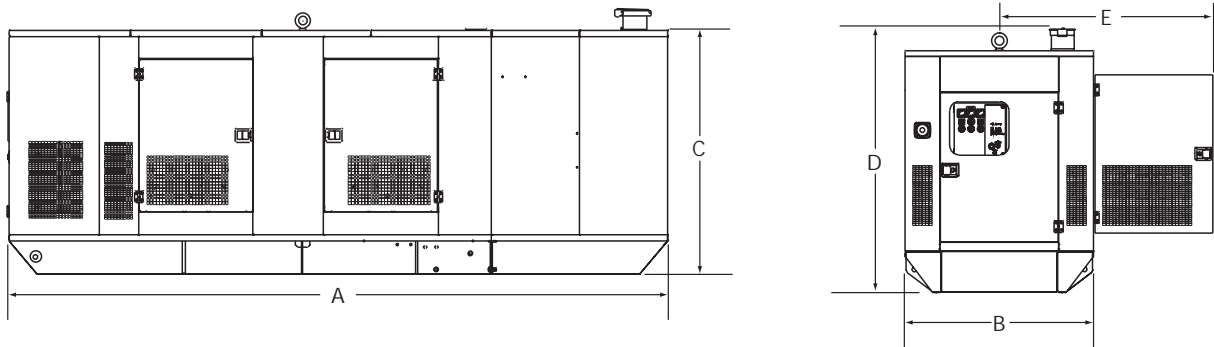
### 50 Hz

Generating Set Model	LWA	15 m (50 ft)		7 m (23 ft)		1 m (3 ft)	
		75% Load	100% Load	75% Load	100% Load	75% Load	100% Load
P450P1	99	64.5	65.6	70.5	71.6	79.4	80.2
P500E1	99	64.5	65.6	70.5	71.6	79.4	80.2
P500P1	99	64.5	65.6	70.5	71.6	79.4	80.2
P550E1	99	64.5	66.5	70.5	72.5	79.4	80.7

### 60 Hz

Generating Set Model	LWA	15 m (50 ft)		7 m (23 ft)		1 m (3 ft)	
		75% Load	100% Load	75% Load	100% Load	75% Load	100% Load
P563P1	tba	66.5	68.5	72.5	74.5	83.5	84.7
P625E1	tba	66.5	68.5	72.5	74.5	83.5	84.7
P625P1	tba	66.5	68.5	72.5	74.5	83.5	84.7
P688E1	tba	66.5	69.7	72.5	75.7	83.5	85.2

Levels in accordance with European Noise Directive (2000/14/EC)



## Dimensions and Weights

Generating Set Model	A: mm (in)	B: mm (in)	C: mm (in)	D: mm (in)	E: mm (in)*	Weight: kgs (lb)
P450P1	5823 (229.3)	1600 (63.0)	2150 (84.6)	2346 (92.4)	1810 (71.3)	5444 (12004)
P500E1	5823 (229.3)	1600 (63.0)	2150 (84.6)	2346 (92.4)	1810 (71.3)	5444 (12004)
P500P1	5823 (229.3)	1600 (63.0)	2150 (84.6)	2346 (92.4)	1810 (71.3)	5454 (12026)
P550E1	5823 (229.3)	1600 (63.0)	2150 (84.6)	2346 (92.4)	1810 (71.3)	5454 (12026)
P563P1	5823 (229.3)	1600 (63.0)	2150 (84.6)	2346 (92.4)	1810 (71.3)	5494 (12114)
P625E1	5823 (229.3)	1600 (63.0)	2150 (84.6)	2346 (92.4)	1810 (71.3)	5494 (12114)
P625P1	5823 (229.3)	1600 (63.0)	2150 (84.6)	2346 (92.4)	1810 (71.3)	5494 (12114)
P688E1	5823 (229.3)	1600 (63.0)	2150 (84.6)	2346 (92.4)	1810 (71.3)	5494 (12114)

Weight with lube oil, no coolant, no fuel.

\* Clearance required on both sides



**FG Wilson (Engineering) Ltd**  
 Old Glenarm Road, Larne, County Antrim BT40 1EJ  
 Northern Ireland, United Kingdom  
 Tel: +44 (0) 28 2826 1000 Fax: +44 (0) 28 2826 1111  
[www.FGWilson.com](http://www.FGWilson.com)

